

## MCT CRYOGENIC RECEIVERS

**LN-4**



**LN-6**



**LN-6**



**LN-7**



**SIGNAL OUTPUT:** BNC CABLE

**POWER INPUT:** FEMALE DB-9



<b>PIN</b>	<b>PIN</b>
1 NO CONNECT	6 +V
2 NO CONNECT	7 -V
3 NO CONNECT	8 GND
4 NO CONNECT	9 CASE
5 NO CONNECT	

These units are high performance, cryogenically operated HgCdTe photodetector/amplifier modules. The unit should be at LN2 temperature before turning on power to the amplifier. A funnel is provided to assist in the filling of the dewar, which is best accomplished by gradually filling and topping off over a several minute period. The amplifier has a dual gain function controlled by a switch on the backplate. The HI (up) position is x10 above the LO (down) position. Output is thru a BNC-type cable, and power is connected thru a shielded multi-wire cable terminated in a 9-pin Dsub connector or solder leads.

Part No.	Active Area	Operating Wavelength	Responsivity V/W @ pk [ typ HI Gain]	Bandwidth	Detectivity [ cm-Hz <sup>1/2</sup> /W ]	Power Requirement	Package
<b>MCT10-0025-E-LN</b>	.25mm sq.	2 - 12 <sup>+</sup>	10 <sup>7</sup>	5Hz-50kHz STD	> 5 x 10 <sup>10</sup>	+, -9 to 15 VDC, 60mA	LN Dewar
<b>MCT10-005-E-LN</b>	0.5mm sq.	2 - 12 <sup>+</sup>	10 <sup>6</sup>	5Hz-50kHz STD	> 5 x 10 <sup>10</sup>	+, -9 to 15 VDC, 60mA	LN Dewar
<b>MCT10-010-E-LN</b>	1.0mm sq.	2 - 12 <sup>+</sup>	10 <sup>6</sup>	5Hz-50kHz STD	> 5 x 10 <sup>10</sup>	+, -9 to 15 VDC, 60mA	LN Dewar
<b>MCT10-020-E-LN</b>	2.0mm sq.	2 - 12 <sup>+</sup>	10 <sup>5</sup>	5Hz-50kHz STD	> 5 x 10 <sup>10</sup>	+, -9 to 15 VDC, 60mA	LN Dewar
<b>MCT14-0025-E-LN</b>	.25mm sq.	2 - 15 <sup>+</sup>	10 <sup>7</sup>	5Hz-50kHz STD	> 4 x 10 <sup>10</sup>	+, -9 to 15 VDC, 60mA	LN Dewar
<b>MCT14-005-E-LN</b>	0.5mm sq.	2 - 15 <sup>+</sup>	10 <sup>6</sup>	5Hz-50kHz STD	> 4 x 10 <sup>10</sup>	+, -9 to 15 VDC, 60mA	LN Dewar
<b>MCT14-010-E-LN</b>	1.0mm sq.	2 - 15 <sup>+</sup>	10 <sup>6</sup>	5Hz-50kHz STD	> 4 x 10 <sup>10</sup>	+, -9 to 15 VDC, 60mA	LN Dewar
<b>MCT14-020-E-LN</b>	2.0mm sq.	2 - 15 <sup>+</sup>	10 <sup>5</sup>	5Hz-50kHz STD	> 4 x 10 <sup>10</sup>	+, -9 to 15 VDC, 60mA	LN Dewar
<b>MCT20-005-E-LN</b>	0.5mm sq.	2 - 20 <sup>+</sup>	10 <sup>5</sup>	5Hz-50kHz STD	> 1.0 x 10 <sup>10</sup>	+, -9 to 15 VDC, 60mA	LN Dewar
<b>MCT20-010-E-LN</b>	1.0mm sq.	2 - 20 <sup>+</sup>	10 <sup>5</sup>	5Hz-50kHz STD	> 0.5 x 10 <sup>10</sup>	+, -9 to 15 VDC, 60mA	LN Dewar

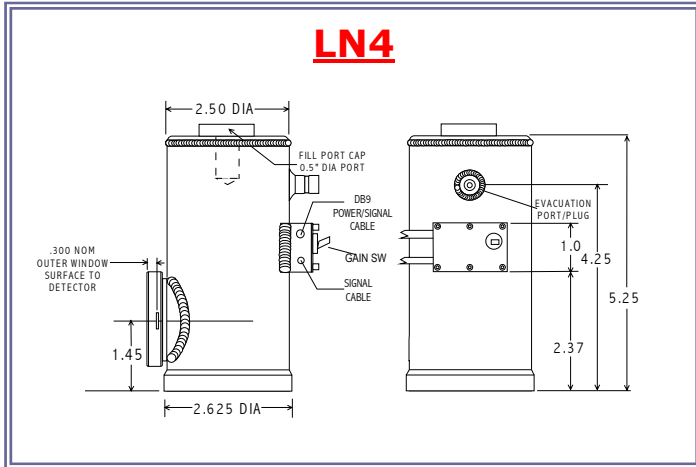
**Available Options Include:**

- User specified FOV (60° STD) - Cold filters for sensitivity enhancement - Custom Geometries (linear arrays).

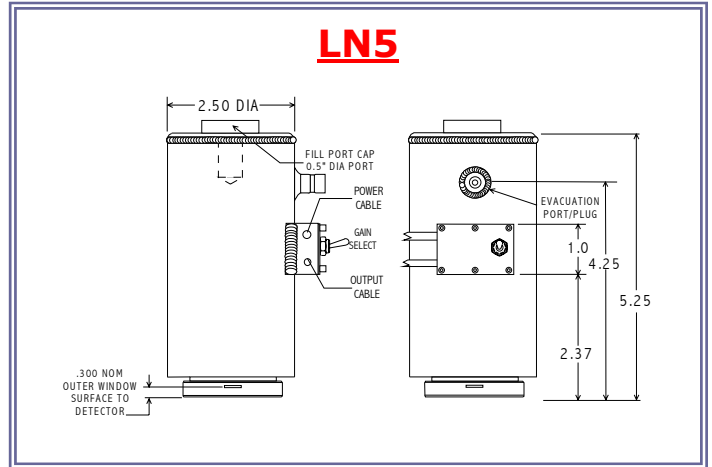
## MCT CRYOGENIC RECEIVERS

# DEWAR OPTIONS

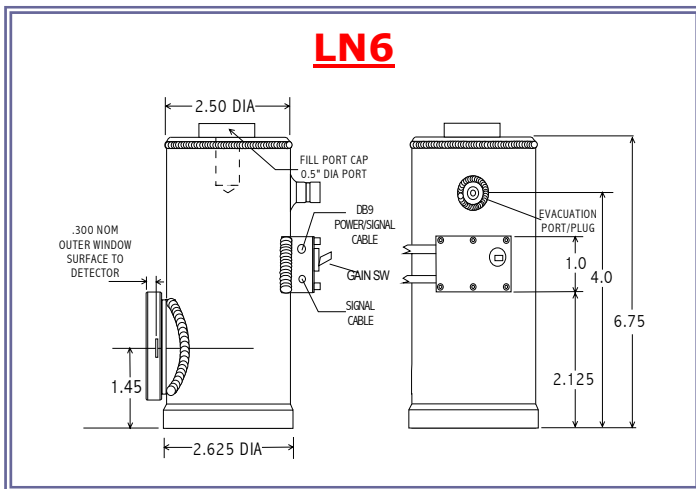
### LN4



### LN5



### LN6



### LN7

