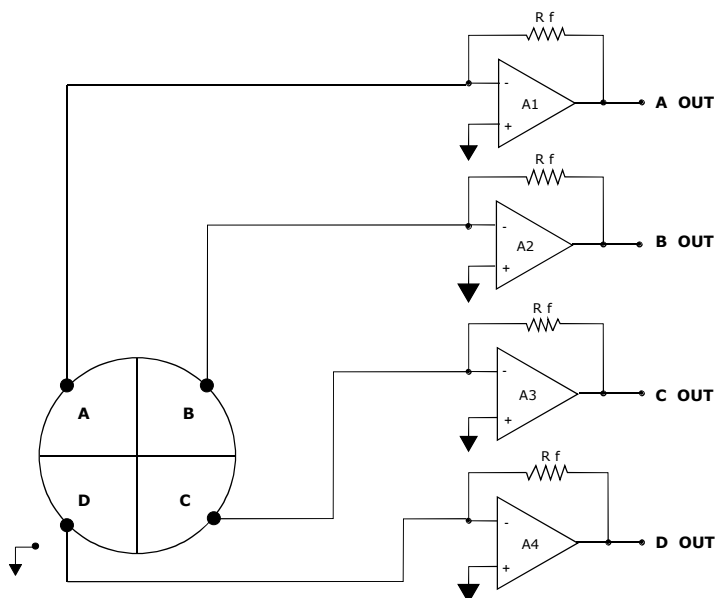


SILICON QUADRANT RECEIVERS



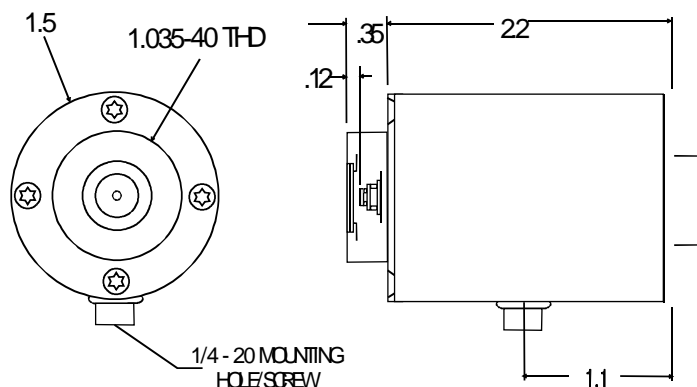
Part no:

S-025-QUAD-E4/1MHz

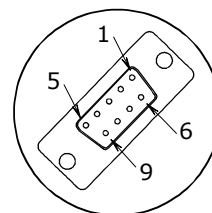
These units integrate the EOS quadrant photodiodes with a 4-channel transimpedance amplifier in the H-series receiver module. Gain/bandwidth settings can be specified by the user. Standard settings are shown below.

Note:

Units delivered with a PS-1 power supply have an adapter cable for power and the amplifier outputs.



9-PIN D-sub Connector



PIN

- 1 - A OUT
- 2 - B OUT
- 3 - GND
- 4 - C OUT
- 5 - D OUT
- 6 - +V
- 7 - -V
- 8 - GND
- 9 - CASE

SPECIFICATIONS

Detector Type	Si Quad Photodiode
Active Area	2.5mm x 2.5mm overall, < .050 mm gap
Wavelength Range	400 - 1100 nm
Amplifier Gain (Rf)	50 k ohms
Module Responsivity	2.5×10^4 , each channel
Module Bandwidth	DC - 1 MHz
NEP	$< 1.5 \times 10^{-12} \text{ W/Hz}^{1/2}$
Power Requirements	+ , - 15 DVC; 20 mA