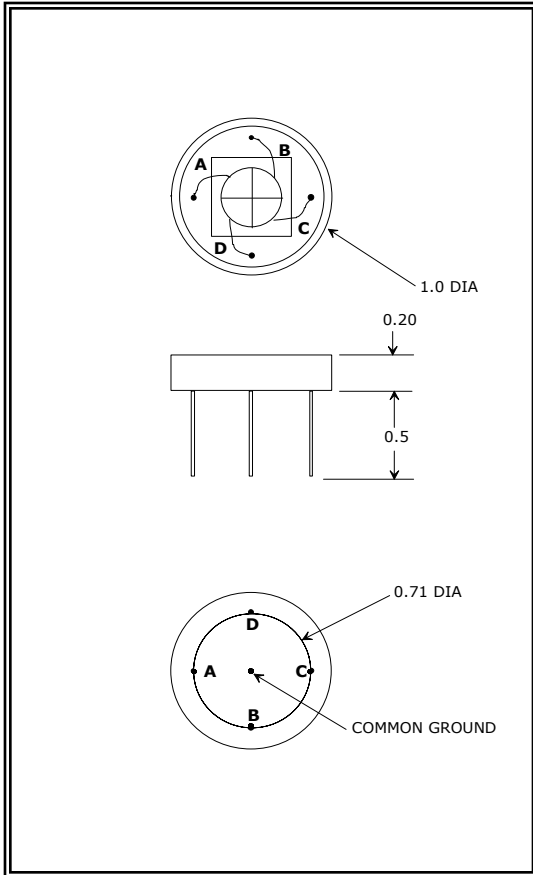
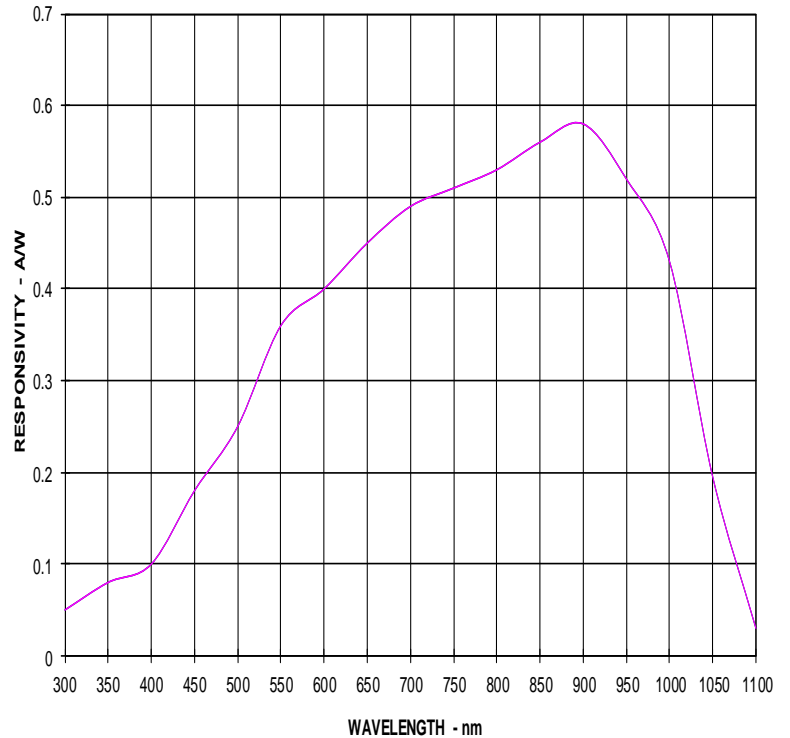


SILICON QUADRANT DETECTOR



S-series PHOTODIODE
Typical Spectral Response - 22C



SPECIFICATIONS @ 23° C

Part Number	S - 100 - QD
Detector Type	Silicon Photodiode
Active Diameter (mm), Overall	10 mm
Operating Wavelength (nm)	300 - 1100
Shunt Resistance - ohms (Each Quadrant)	>100 M
Shunt Capacitance (pF) (Each Quadrant)	200 typ @ 0V ; 60 typ @ -10V
Risetime, $R_i = 50$ ohms, -10V bias	3 ns
Responsivity (A/W)	0.6 min @ 850 nm
Dark Current (nA), -10V bias	1.0 typ ; 10.0 max
Noise Current (A/Hz ^{1/2})	< 1.0 x 10⁻¹⁴ @ 0V ; < 5.7 x 10⁻¹⁴ @ -10V
Element Spacing	<20 microns
Crosstalk	< 1%

RoHS Compliant