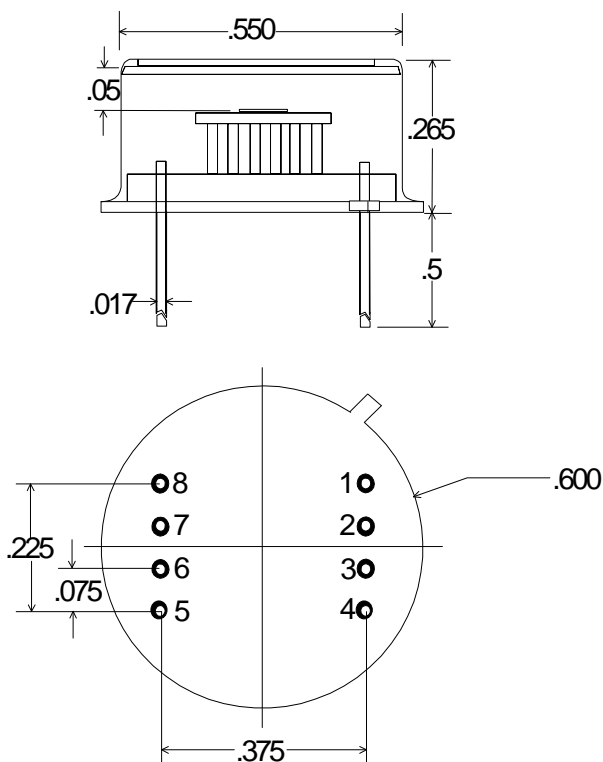


## TO - STYLE PHOTODIODE / AMPLIFIER


**Part no:**
**IGA - 020 - E8**
**PIN OUT**

- 1 = Offset Adj
- 2 = Inv In / Photodiode Cathode
- 3 = N-Inv In / Photodiode Anode
- 4 = -V
- 5 = Gain Select
- 6 = Output
- 7 = +V
- 8 = Offset Adj

**Note:** Dimensions in Inches

**Operating Note** This unit is a high performance photodiode/transimpedance amplifier unit. The output voltage is equal to the optical signal power multiplied by the photodiode responsivity in A/W and the feedback resistance in ohms. The unit is DC-coupled and should be shielded from stray or room lights to avoid saturation of the amplifier.

### SPECIFICATIONS

|   |                            |
|---|----------------------------|
| Operating Temperature (°C)                                  | 24                         |
| Active Area   | 2 mm dia                   |
| Photodiode Shunt Resistance (MΩ)                            | 10 min                     |
| Photodiode Shunt Capacitance (pF)                           | 400. nom                   |
| Responsivity @ 1.3 μm (V/W)                                 | $0.9 \times 10^8 / 10^7$ * |
| NEP (100Hz, 1.3 μm) (W/Hz <sup>1/2</sup> )                  | $< 5 \times 10^{-14}$      |
| Bandwidth (Hz)  | DC - 2000 *                |
| Offset Voltage (mV)   | < 3.                       |
| * <b>Note:</b> Other gain/bandwidth values can be specified |                            |