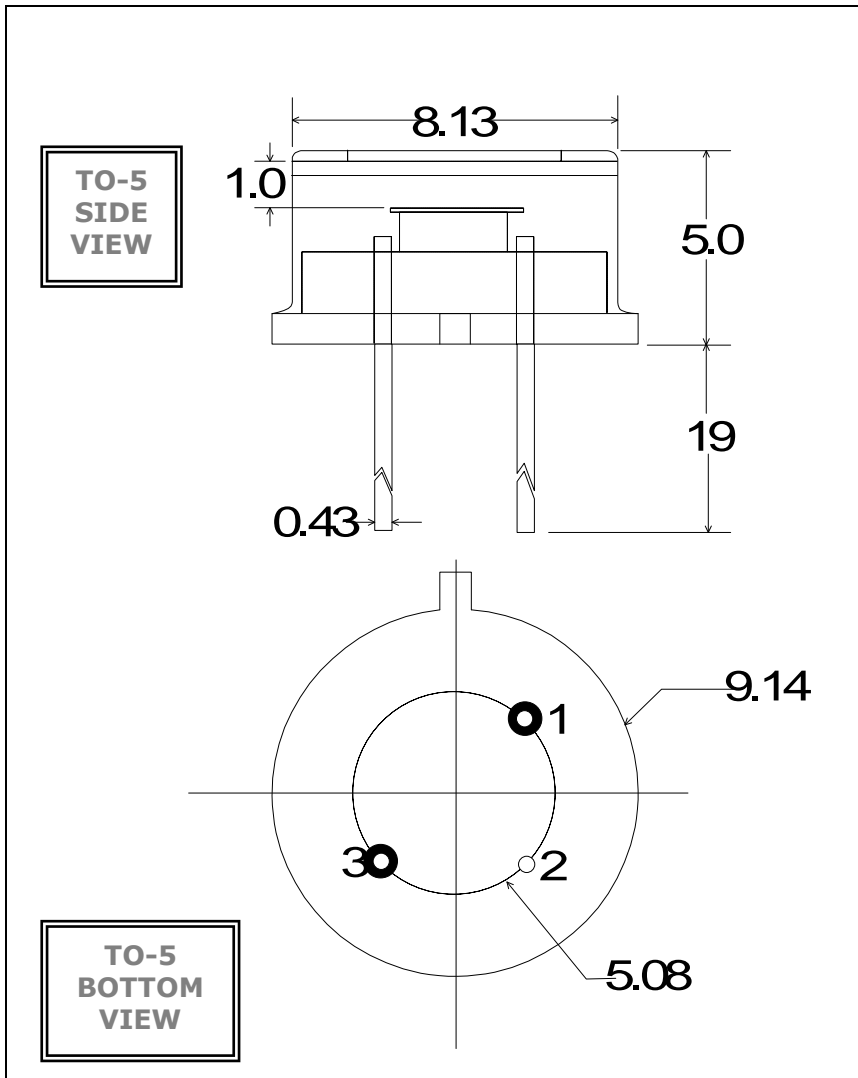


IGA SERIES PHOTODIODE



Part No: IGA - 030

PIN OUT

- 1 = ANODE
- 2 = CASE
- 3 = CATHODE

Note:

Dimensions in millimeters

Application Note

ELECTRO OPTICAL SYSTEMS offers room temperature photodiode detectors. The units have state-of-the-art sensitivity and may be supported by accessories such as optical filters (longpass and bandpass), integral preamplifiers, and fiber optic connectors. These units find applications in industrial control systems, gas analyzers, thermal sensors, and general fiber optic test instrumentation.

SPECIFICATIONS

Active Diameter (mm)	3.0 mm
Operating Wavelength	1.0 - 1.7
Shunt Resistance (Ω)	$\geq 5M$
Shunt Capacitance (pF), typ	1000 (0V) ; 400 (-5V)
Dark Current (nA) $V_B = -5V$	200.
Risetime (nsec) $R_{LOAD} = 50$ ohms	110 (0V) ; 50 (0V)
Responsivity (A/W)	0.90 @ 1.3 μm
NEP (W/Hz ^{1/2})	$<7.0 \times 10^{-14}$ @ 1.3 μm , 100Hz

RoHS Compliant



IGA SERIES PHOTODIODE

IGA-series PHOTODIODE
Typical Spectral Response

