

TE - COOLED PHOTODIODE

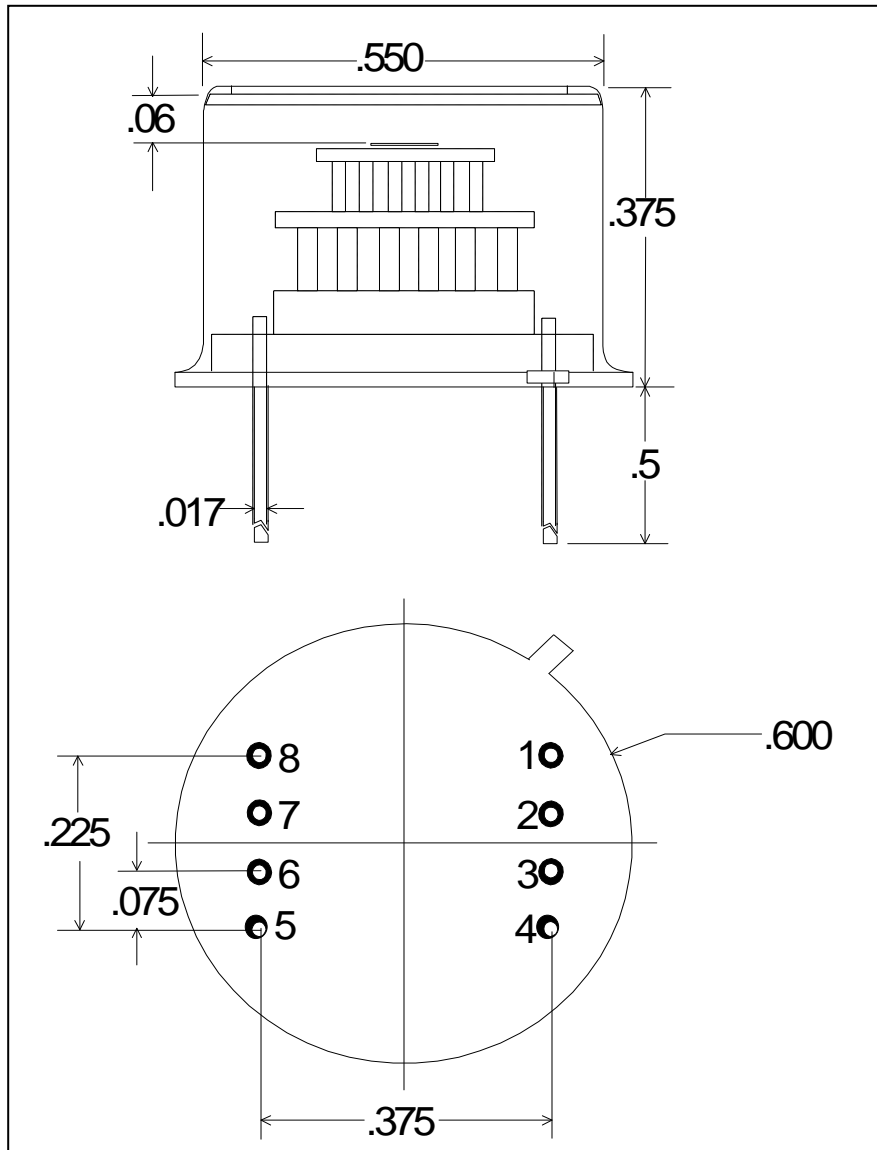
Part No: IGA-010-TE2

PIN OUT

- 1 = COOLER (-)
- 2 = THERMISTOR
- 3 = THERMISTOR
- 4 = COOLER (+)
- 5 = DETECTOR CATHODE
- 6 = DETECTOR ANODE
- 7 = NO CONNECT
- 8 = NO CONNECT

Note:

Dimensions in inches



Operating Note

The TE cooled photodiode series consists of a high performance photodiode mounted on a thermoelectric cooler, all housed in a TO-8 package. A thermistor is mounted to the TEC's cold plate to provide a precise, reliable temperature monitor. Before operation VERIFY ELECTRICAL WIRING, else catastrophic damage may be sustained by the unit. Electrical power consumption can exceed 2.5 Watts (2V / 1.25A); therefore, this package must be suitably heat sunk. Thermal grease with secure clamping is recommended for power dissipation. Temperature levels below -45°C are possible with an optimized mechanical assembly.

SPECIFICATIONS - 1mm DIA InGaAs

Operating Temperature (°C)	22	-30
Shunt Resistance (MΩ), min	100	> 1000
Shunt Capacitance (pF), typ	80	80
Responsivity @ 1.3 μm (A/W)	0.9	0.9
NEP (W/Hz ^{1/2}) @ 1.3μm, 100Hz	< 1.5 x 10 ⁻¹⁴	< 1.5 x 10 ⁻¹⁵
Thermistor Resistance (kΩ) typ	1.5 typ	40.0 typ
Cooler Current (A) typ	0.00	0.60 TYP.
Maximum Cooler Current (A)	1.25	

RoHS Compliant