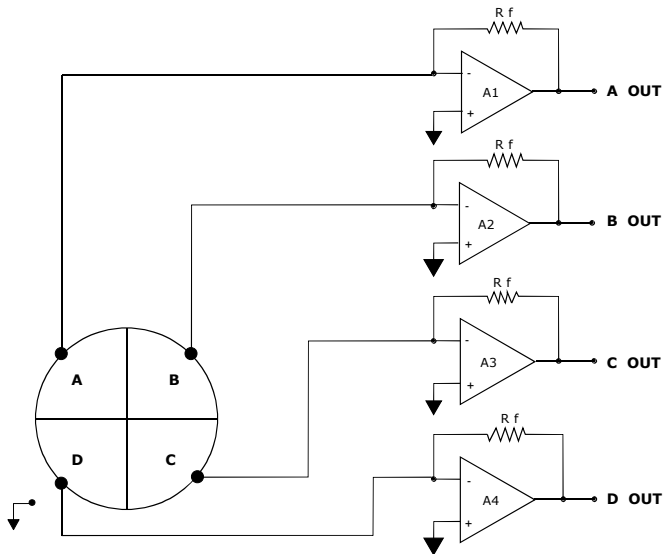


QUADRANT RECEIVER MODULE



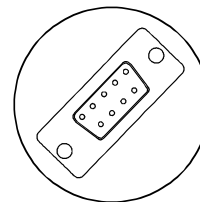
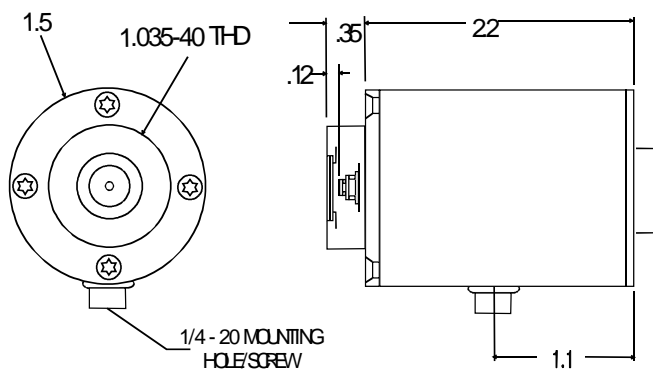
Part no: IGA-010-QUAD-E4

This unit integrates the EOS quadrant photodiodes with a 4-channel transimpedance amplifier in the H-series receiver module. Gain/bandwidth settings can be specified by the user. Standard settings are shown below.

9-PIN D-sub Connector

PIN

- 1 - A OUT
- 2 - B OUT
- 3 - GND
- 4 - C OUT
- 5 - D OUT
- 6 - +V
- 7 - -V
- 8 - GND
- 9 - CASE



SPECIFICATIONS

Detector Type	InGaAs Quad Photodiode
Active Area	1.0 mm dia overall; Spacing < 30 microns
Wavelength Range	1000 - 1700 nm
Amplifier Gain (Rf)	100 M ohms
Module Responsivity (V/W)	10 ⁸ , each channel
Module Bandwidth	DC - 2 kHz
NEP	< 2 x 10 ⁻¹⁴ W/Hz ^{1/2}
Power Requirements	+ , - 15 DVC; 20 mA

RoHS Compliant