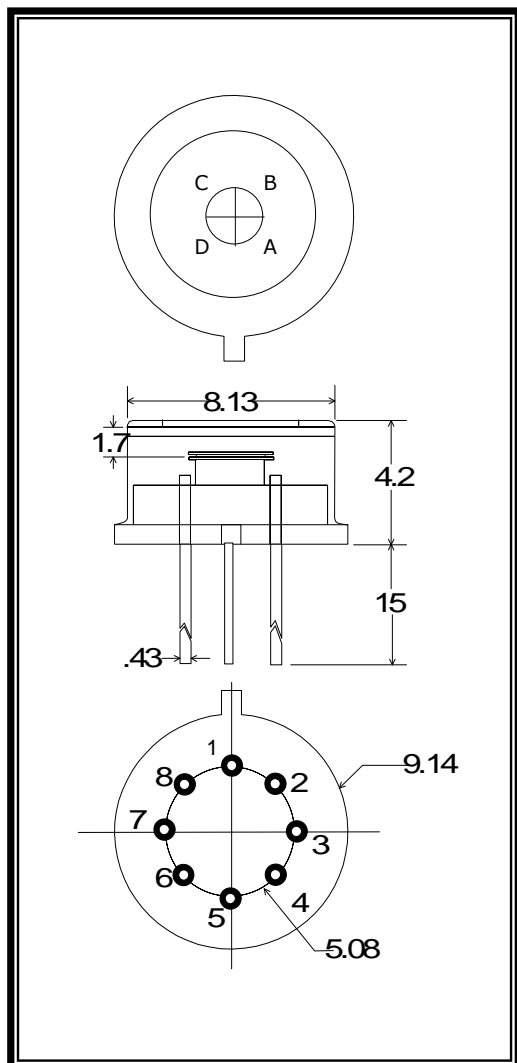


IGA-SERIES QUADRANT POSITION SENSOR PHOTODIODES



**TO-5
Top
View**

**TO-5
Side
View**

**TO-5
Bottom
View**

PIN OUT

- 1 = ANODE D
- 2 = n/c
- 3 = ANODE A
- 4 = CASE
- 5 = ANODE B
- 6 = n/c
- 7 = ANODE C
- 8 = COMMON CATHODE

NOTE: Dimensions in millimeters

Application Note

ELECTRO OPTICAL SYSTEMS offers room temperature position - sensing photodiode detectors. The units have state-of-the-art sensitivity and may be supported by accessories such as optical filters (longpass and bandpass), and preamplifiers. These units find applications in industrial control systems, beam tracking and precision alignment systems.

SPECIFICATIONS @ 23° C

| | |
|---|--------------------|
| Part Numbers | IGA-020-QD |
| Detector Type | InGaAs photodiode |
| Active Diameter (mm), Overall | 2 mm |
| Operating Wavelength (μm) | 1.0 - 1.7 |
| Shunt Resistance (ohms) (Each Quadrant) | > 60 M |
| Shunt Capacitance (pF) (Each Quadrant) | 100 typ |
| Dark Current (nA) (Each Quadrant) | 2.0 typ / 10.0 max |
| Responsivity (A/W) | 0.9 min @ 1.3 μm |
| Element Spacing | < 100 microns |
| Crosstalk | < 1% |

RoHS Compliant