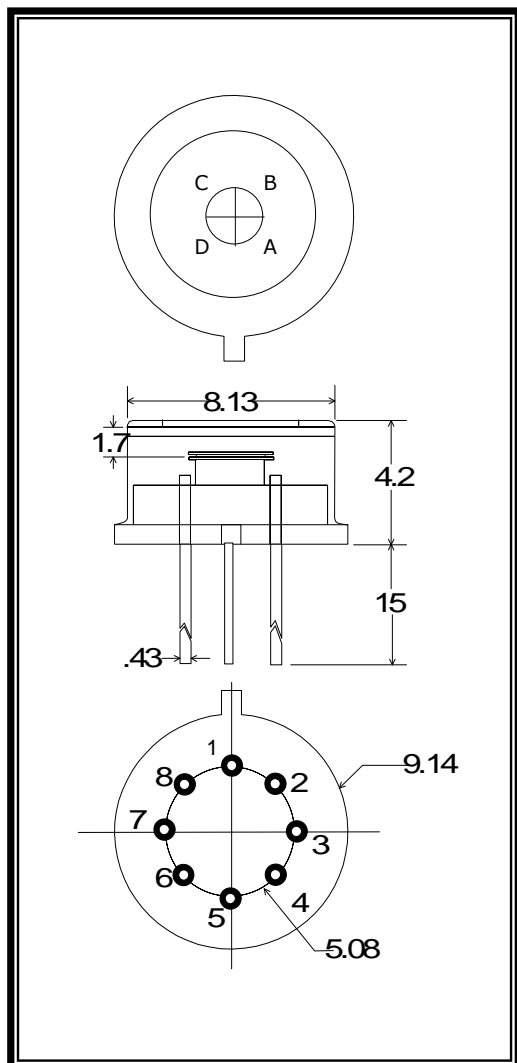


IGA-SERIES QUADRANT POSITION SENSOR PHOTODIODES



**TO-5
Top
View**

**TO-5
Side
View**

**TO-5
Bottom
View**

PIN OUT

- 1 = ANODE D
- 2 = n/c
- 3 = ANODE A
- 4 = CASE
- 5 = ANODE B
- 6 = n/c
- 7 = ANODE C
- 8 = COMMON CATHODE

NOTE: Dimensions in millimeters

Application Note

ELECTRO OPTICAL SYSTEMS offers room temperature position - sensing photodiode detectors. The units have state-of-the-art sensitivity and may be supported by accessories such as optical filters (longpass and bandpass), and preamplifiers. These units find applications in industrial control systems, beam tracking and precision alignment systems.

SPECIFICATIONS @ 23° C

Part Numbers	IGA-010-QD
Detector Type	InGaAs Photodiode
Active Diameter (mm), Overall	1 mm
Operating Wavelength (μm)	1.0 - 1.7
Shunt Resistance (ohms) (Each Quadrant)	> 100 M, 0V
Shunt Capacitance (pF) (Each Quadrant)	40 typ, 0V ; 25 typ, -5V
Dark Current (nA) (Each Quadrant)	0.2 typ / 2.0 max, -5V
Responsivity (A/W)	0.9 min @ 1.3 μm
Element Spacing	< 35 microns
Crosstalk	< 1%

RoHS Compliant