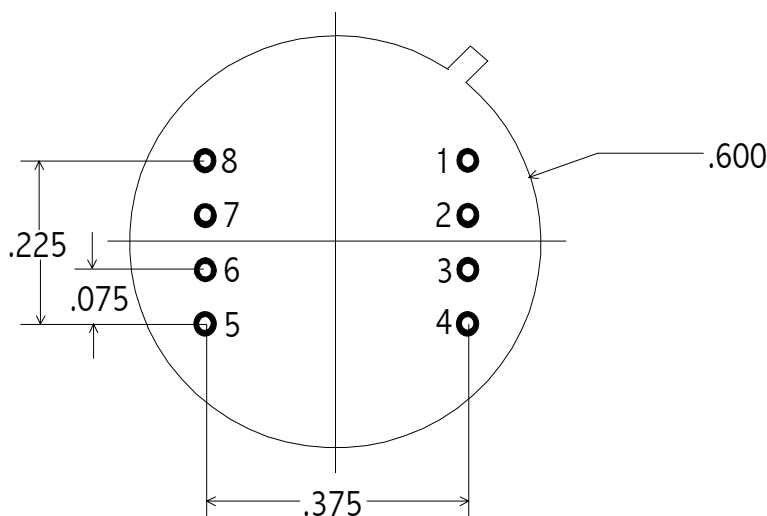
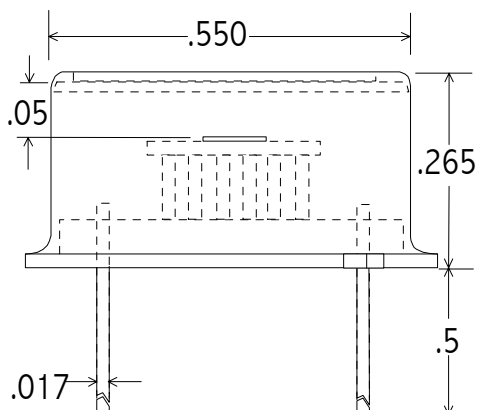


## TO - STYLE PHOTODIODE / AMPLIFIER



### Extended InGaAs - E8 - SERIES

#### PIN OUT

- 1 = Offset Adj
- 2 = Inv In / Photodiode Cathode
- 3 = N-Inv In / Photodiode Anode
- 4 = -V
- 5 = Gain Select
- 6 = Output
- 7 = +V
- 8 = Offset Adj

**Note:** Dimensions in Inches

#### OPERATING INSTRUCTIONS:

This unit is a high performance photodiode/transimpedance amplifier unit. The output voltage is equal to the optical signal power multiplied by the photodiode responsivity in A/W and the feedback resistance in ohms. The unit is DC-coupled and should be shielded from stray or room lights to avoid saturation of the amplifier.

Part Number	IGA1.9-010-E8	IGA1.9-030-E8	IGA2.2-010-E8	IGA2.2-030-E8
Active Area	1mm dia	3mm dia	1mm dia	3mm dia
Operating Wavelength (nm)	1100 - 2100		1200 - 2600	
Photodiode Shunt Resistance (kΩ)	100.	10.	5.	0.5
Photodiode Shunt Capacitance (pF)	100. typ	1000. typ	200. typ	2000. typ
* Output Responsivity @ 1300nm, HI/LO (V/W)	10 <sup>7</sup> / 10 <sup>6</sup>	10 <sup>6</sup> / 10 <sup>5</sup>	10 <sup>6</sup> / 10 <sup>5</sup>	10 <sup>5</sup> / 10 <sup>4</sup>
Bandwidth (Hz)	DC - 10k		DC - 10k	
NEP (100Hz, 1300nm) (W/Hz <sup>1/2</sup> )	< 4. x 10 <sup>-13</sup>	< 1 x 10 <sup>-12</sup>	< 1.5 x 10 <sup>-12</sup>	< 6 x 10 <sup>-12</sup>
* <b>Note:</b> Other gain values can be specified				