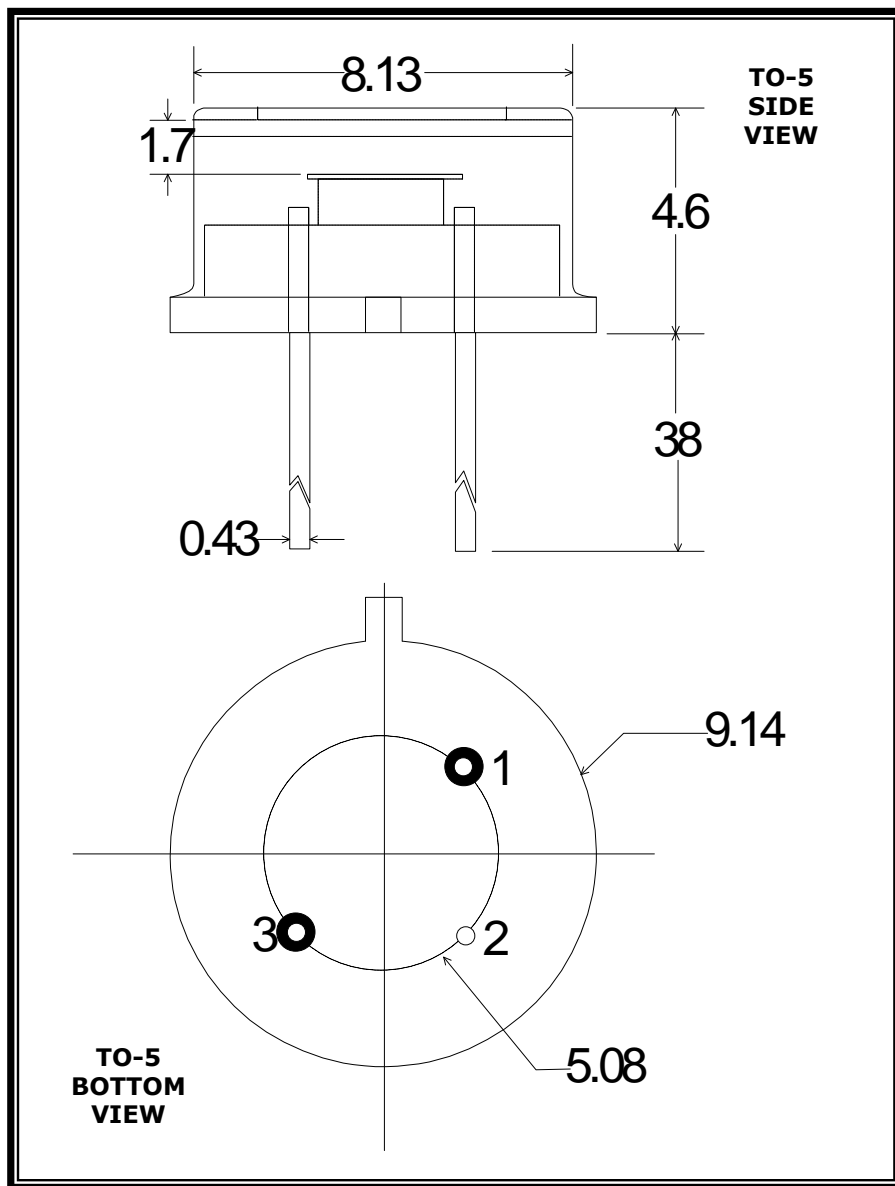


## IGA SERIES PHOTODIODE



**Part Number:**

**IGA2.2 - 030**

**PIN OUT**

- 1 = ANODE
- 2 = CASE
- 3 = CATHODE

**Note:**

Dimensions in millimeters

### Application Note

**ELECTRO OPTICAL SYSTEMS** offers room temperature photodiode detectors. The units have state-of-the-art sensitivity and may be supported by accessories such as optical filters (longpass and bandpass), integral preamplifiers, and fiber optic connectors. These units find applications in industrial control systems, gas analyzers, thermal sensors, and general fiber optic test instrumentation.

### SPECIFICATIONS

Active Area	3.0 mm dia
Operating Wavelength - $\mu\text{m}$	1.2 - 2.6
Shunt Resistance ( $\Omega$ )	$\geq 300$
Shunt Capacitance (pF), typ	2000 @ 0V
Responsivity (A/W) @ 2.3 $\mu\text{m}$	1.1
NEP ( $\text{W}/\text{Hz}^{1/2}$ ), @ 2.3 $\mu\text{m}$ , 100 Hz	$< 7 \times 10^{-12}$

RoHS Compliant