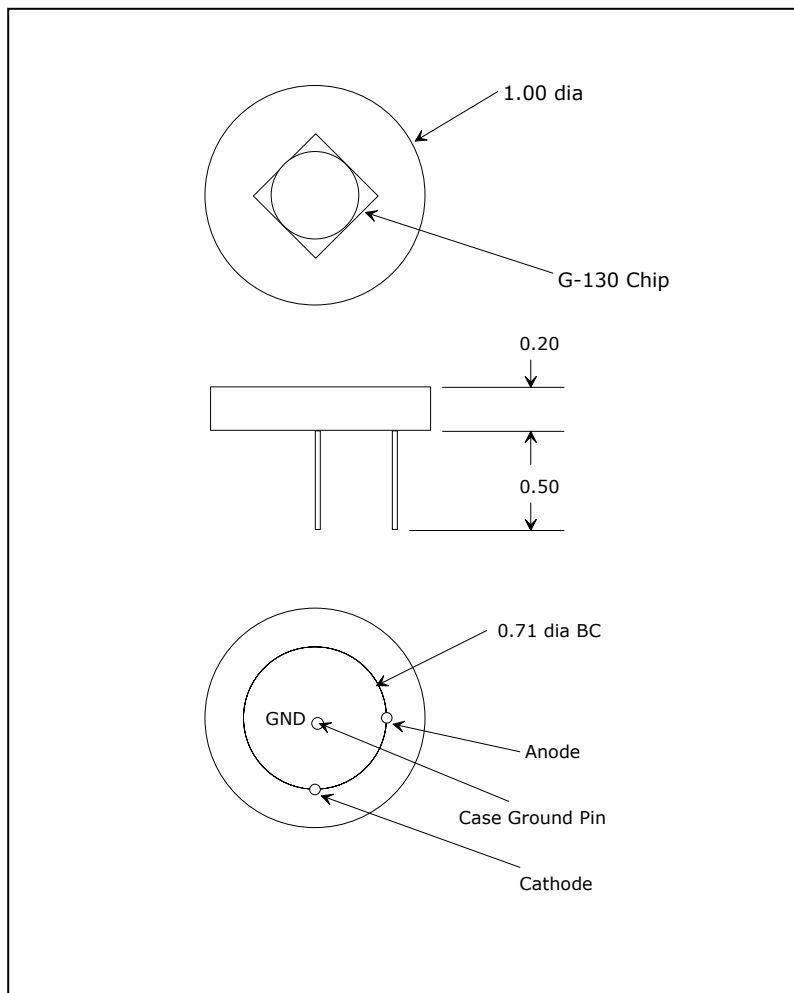


G - SERIES PHOTODIODE



Part No: G - 130

Application Note

ELECTRO OPTICAL SYSTEMS offers room temperature photodiode detectors. The units have state-of-the-art sensitivity and may be supported by accessories such as optical filters (longpass and bandpass), integral preamplifiers, and infrared source assemblies. These units find applications in industrial control systems, gas analyzers, thermal sensors, and general infrared instrumentation.

SPECIFICATIONS FOR G-130 PHOTODIODE	
Active Area (mm)	13 mm dia
Operating Wavelength (μm)	1.0 - 1.8
Shunt Resistance (Ω)	1k min ; 2k typ
Shunt Capacitance (pF)	40000 typ
Responsivity (A/W)	0.9 @ 1.55 μm
NEP (W/Hz ^{1/2})	< 5 x 10 ⁻¹² @ 1.55 μm