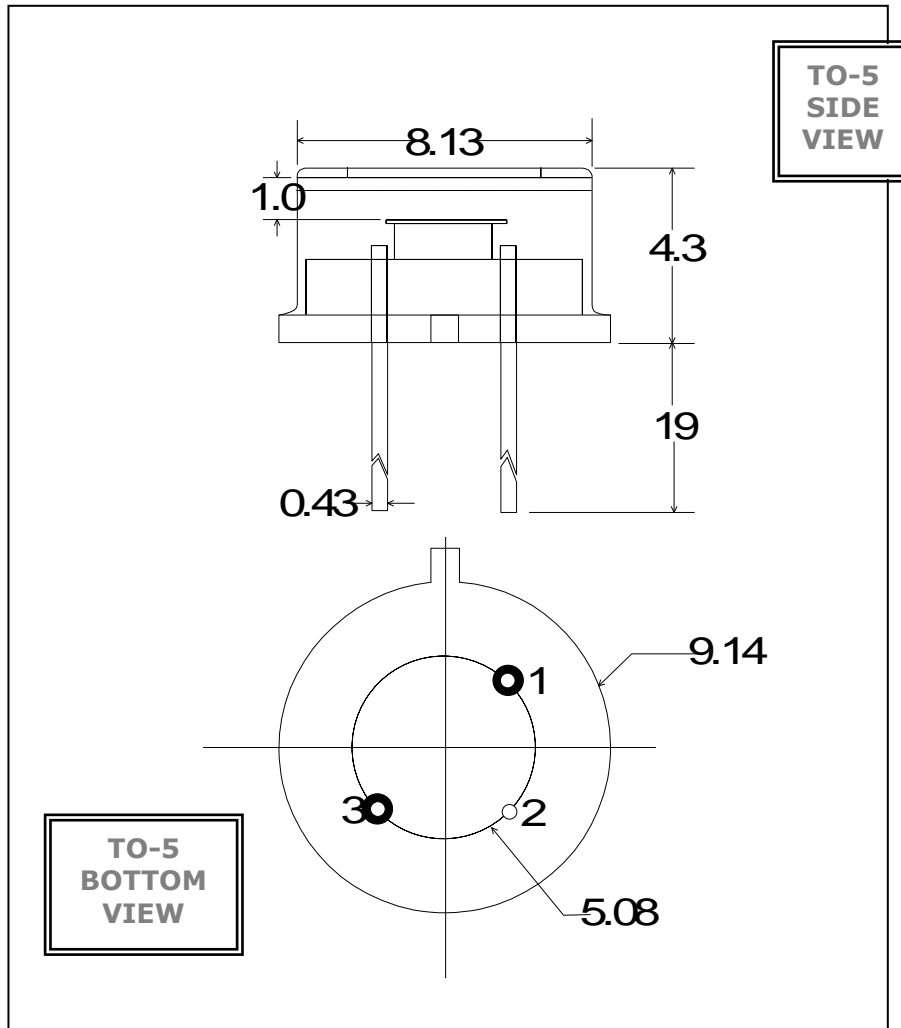


G - SERIES PHOTODIODES



PIN OUT

- 1 = ANODE
- 2 = CASE
- 3 = CATHODE

Note:

Dimensions in millimeters

Application Note

ELECTRO OPTICAL SYSTEMS offers room temperature photodiode detectors. The units have state-of-the-art sensitivity and may be supported by accessories such as optical filters (longpass and bandpass), integral preamplifiers, and fiber optic connectors. These units find applications in industrial control systems, gas analyzers, thermal sensors, and general fiber optic test instrumentation.

SPECIFICATIONS @ 23° C

Part Number	G - 020 / HS	G - 030 / HS
Active Area	2.0 mm dia	3.0 mm dia
Operating Wavelength - μm	0.8 - 1.8	0.8 - 1.8
Shunt Resistance (Ω)	5k min ; 10k typ	4k min ; 6k typ
Shunt Capacitance (pF), typ @ -5V	300	800
Dark Current @ -5V	< 10 μA	< 30 μA
Responsivity (A/W) @ 1.5 μm	0.90	0.90
NEP (W/Hz ^{1/2}), @ 1.5 μm , 100 Hz	< 2 X 10 ⁻¹²	< 2 X 10 ⁻¹²
Max Reverse Voltage	10V	10V

RoHS COMPLIANT