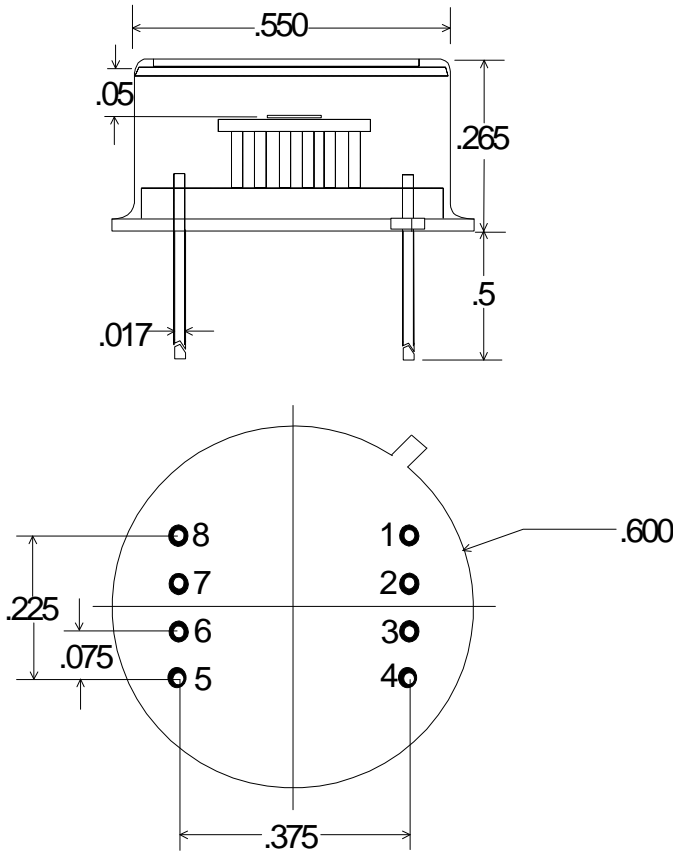


## TO - STYLE PHOTODIODE / AMPLIFIER



**Part no:**

**G - 050 - E8**

**PIN OUT**

- 1 = Offset Adj
- 2 = Inv In / Photodiode Cathode
- 3 = N-Inv In / Photodiode Anode
- 4 = -V
- 5 = Gain Select
- 6 = Output
- 7 = +V
- 8 = Offset Adj

**Note:** Dimensions in Inches

**Operating Note** This unit is a high performance photodiode/transimpedance amplifier unit. The output voltage is equal to the optical signal power multiplied by the photodiode responsivity in A/W and the feedback resistance in ohms. The unit is DC-coupled and should be shielded from stray or room lights to avoid saturation of the amplifier.

### SPECIFICATIONS [ T=24 °C ]

Active Area	5 mm dia
Operating Wavelength Range, $\mu\text{m}$	0.8 - 1.8
Photodiode Shunt Resistance (ohms)	15 k
Photodiode Shunt Capacitance (pF)	30000 nom
Responsivity @ 1.5 $\mu\text{m}$ (V/W)	$2 \times 10^4 / 10^3$
NEP (100Hz, 1.5 $\mu\text{m}$ ) (W/Hz <sup>1/2</sup> )	$< 1.5 \times 10^{-12}$
Bandwidth (Hz)	DC - 2 kHz