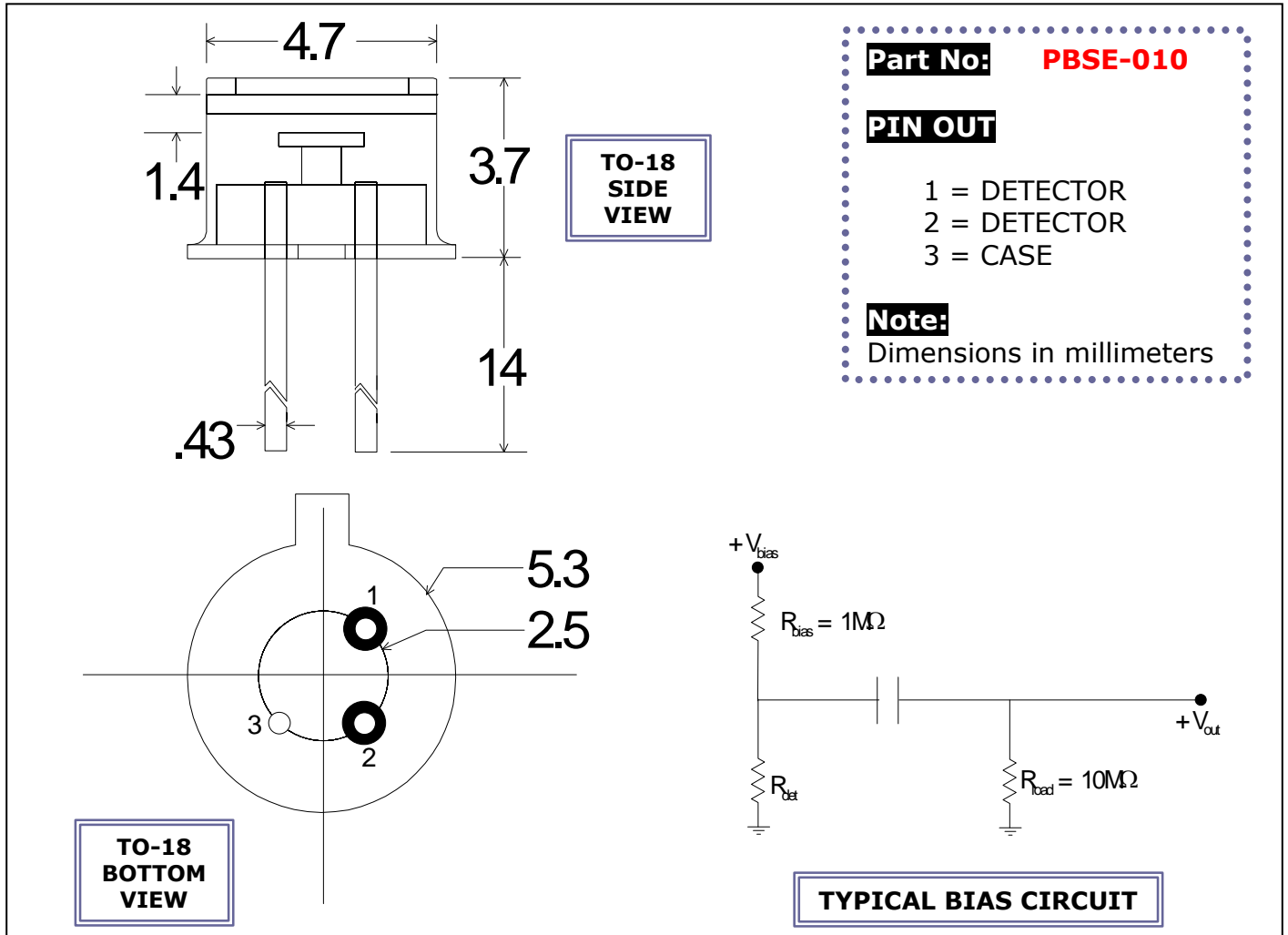


PBSE - SERIES PHOTOCONDUCTOR



Application Note ELECTRO OPTICAL SYSTEMS offers room temperature PbSe photoconductor detectors for operation in the 1.0 - 4.5 μm spectral range. The units have state-of-the-art sensitivity and may be supported by accessories such as optical filters (longpass and bandpass), integral preamplifiers, and infrared source assemblies. These units find applications in industrial control systems, gas analyzers, thermal sensors, and general infrared instrumentation.

SPECIFICATIONS

Active Area	1mm x 1mm
Operating Temperature ($^{\circ}\text{C}$)	22
Operating Wavelength	1.0 - 4.5
Dark Resistance ($M\Omega$)	0.1 - 1.0
Time Constant (μs),	15 typ
Voltage Bias (V)	50
Responsivity @ λ_p (V/W)	$\geq 10,000$
D^* @ λ_p ($\text{cm Hz}^{1/2}/\text{W}$)	$\geq 5 \times 10^9$