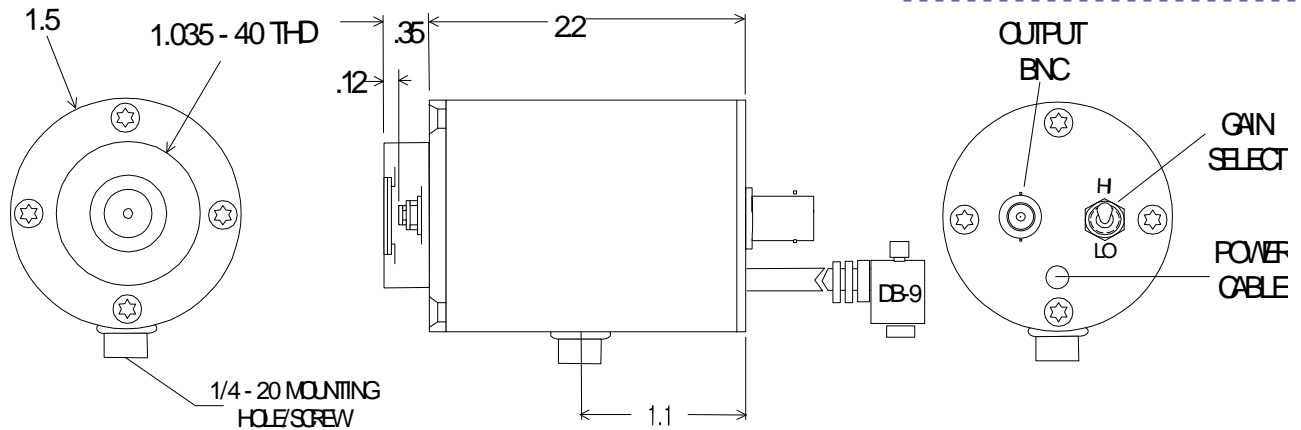
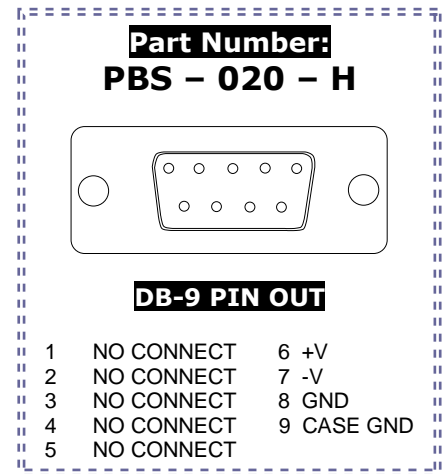
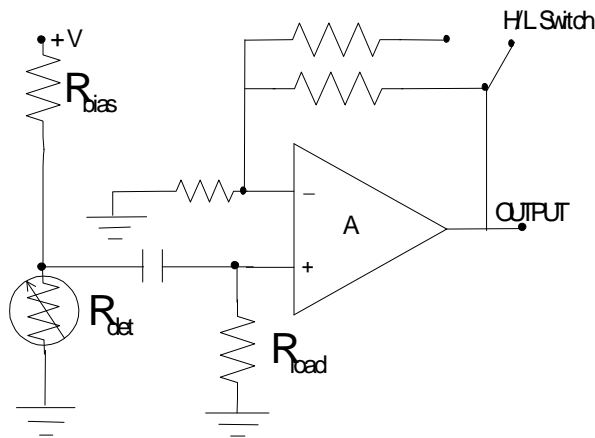


PBS - SERIES PHOTOCONDUCTOR / RECEIVER



Application Note This unit is a high performance photoconductor/receiver operated at ambient temperature with a dual gain voltage amplifier. The detector's bias voltage is linked to the amplifier power supply and no additional biasing is necessary. The PC/AMP is an AC coupled dual gain detector system requiring a modulated input signal for operation.

SPECIFICATIONS

Detector Type	2mm x 2mm PBS
Operating Temperature- °C	22
Operating Wavelength- μm	1.0 - 2.8
Responsivity- V/W @ 2.6	10⁷ / 10⁶
Noise- V/Hz^{1/2} @ 400.	2 x 10⁻⁵ / 10⁻⁶
NEP- W/Hz^{1/2} @ 2.6, 400	2 x 10⁻¹²
Bandwidth (-3dB)- Hz	5 - 500
Power Requirements	+/- 9 VDC to +/- 15 VDC
Connections	BNC signal output. Shielded power cable terminated with a DB-9 connector directly couples the unit with the PS -1 Low Noise Power Supply.