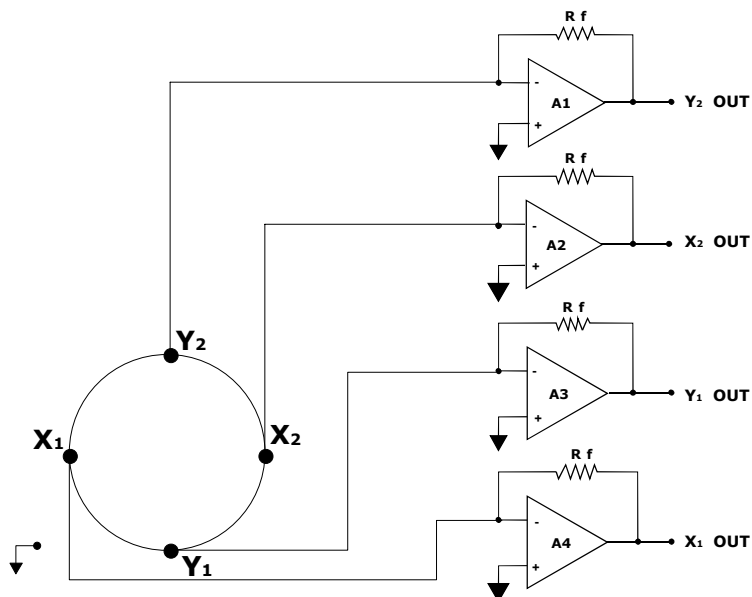


InGaAs PSD RECEIVERS



Application Note

These units integrate the EOS PSD's with a 4-channel transimpedance amplifier in the H-series receiver module. Gain/bandwidth settings can be specified by the user. Standard settings are shown below.

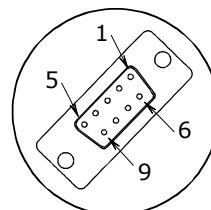
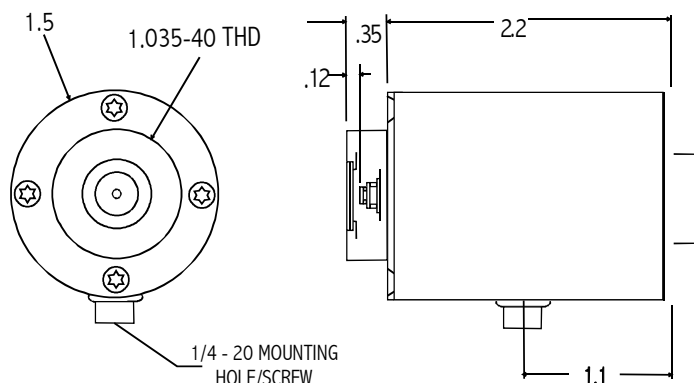
Note:

Units delivered with a PS-1 power supply have an adapter cable for power and the amplifier outputs.

9-PIN D-sub Connector

PIN

- 1 - Y₂ OUT
- 2 - X₂ OUT
- 3 - GND
- 4 - Y₁ OUT
- 5 - X₁ OUT
- 6 - +V
- 7 - -V
- 8 - GND
- 9 - CASE



SPECIFICATIONS

Part Number	IGA-020-PSD-E4	IGA-030-PSD-E4	IGA-050-PSD-E4
Active Diameter	2 mm overall	3 mm overall	5 mm overall
Detector Type	InGaAs Tetralateral Photodiode		
Wavelength Range	1000 - 1700 nm		
Amplifier Gain (Rf)	100 k ohms		
Module Bandwidth	DC - 50 kHz		
Position Resolution	< 1 micron, for 0.1 mW incident power		
Power Requirements	+, - 15 DVC; 40 mA		